

MECHANICAL SPECIFICATIONS

- 1.0 Mounting Position: Vertical.
- 2.0 Set Point: Customer Set.
- 3.0 Measured Media: Air.
- 4.0 Operating Temperature Range: -40° to 190°F (-40° to 87.8 °C).
- 5.0 Life: 100,000 Cycles Minimum at UL 353 Test Parameters.
- 6.0 Overpressure: 14" W.C.
- 7.0 Sample Line Connection:
 - 7.1 Straight Type for Use With 3/16" Flexible Rubber Tubing.

SPRING CHART

CLEVELAND CONTROLS PART NO.	COLOR	SET POINT RANGE (INCHES WATER COLUMN)
61523	BLACK	.10 THRU .30
61513	NATURAL	.30 THRU .90
61514	YELLOW	.90 THRU 2.50
61515	RED	2.50 THRU 5.00
61524	BLUE	5.00 THRU 10.00

ELECTRICAL SPECIFICATIONS

- 8.0 Electrical Ratings:
 - 8.1 Silver Contacts:
 - 8.1.1 SPDT, SPST Electrical Load: 1/10 HP @ 120 to 277 VAC; 28VA Pilot Duty @ 24VAC; 125VA Pilot Duty @ 120 VAC.
 - 8.1.2 SPST Electrical Load: 5 Amps Resistive @ 24, 120 to 277 VAC.
- 9.0 Terminal Connections:
 - 9.1 1/4" X .032 Quick Connect Terminals.
- 10.0 Switching Action: Change Contact Position on Customer Setting.
- 11.0 Contact Arrangement: SPDT.
 - 11.1 Position of Contacts with Spring Engaged and Before Pressure Is Applied:

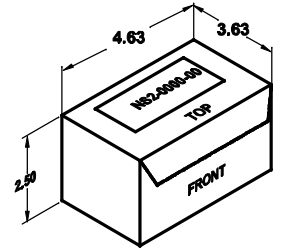


ORIFICE CHART

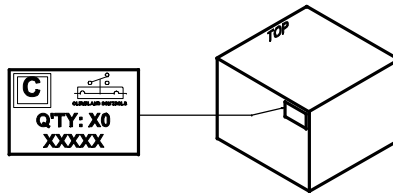
CLEVELAND CONTROLS PART NO.	COLOR	DIAMETER
61518001	GREEN	.010"
61518002	GRAY	.016"
61518003	RED	.028"
61518004	BLUE	.035"

OTHER SPECIFICATIONS

- 12.0 Options Included: None.
- 12.1 Configuration Kit 61586 Consisting of:
 - Half Strap and Angle Brackets Supplied with Mounting Screw, (1) Each.
 - All Orifices Supplied, (2) Each.
 - All Springs Supplied, (1) Each.
 - Callibration Screw, (1) Each.
 - Adjusting Wrench, (1) Each.
 - #6 X 3/8 Mounting Screws, (2) Each.
- 13.0 Agency Approvals: UL, CUL, CSA & CE.

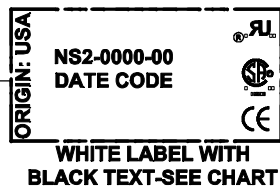
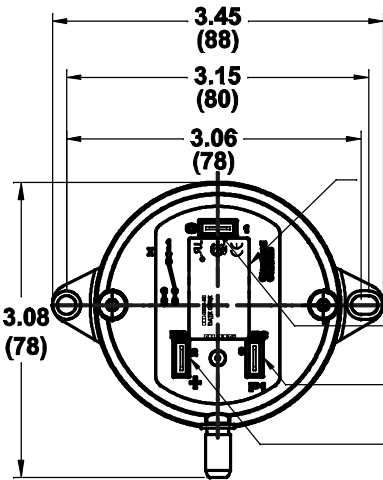


INDIVIDUAL BOX WITH CONFIGURATION KIT P/N 61586 BULLETIN IM_NS2-0000-XX

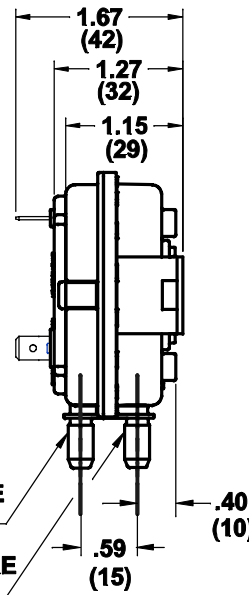


MASTER CARTON WITH LABEL INDICATING QUANTITY AND SWITCH MODEL NUMBER

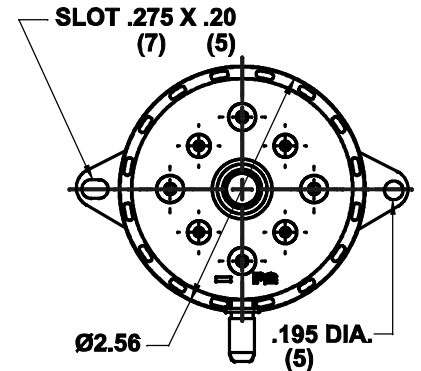
DIMENSIONS INCHES (METRIC)



COMMON TERMINAL
NORMALLY CLOSED TERMINAL
NORMALLY OPEN TERMINAL



POSITIVE PRESSURE CONNECTOR
NEGATIVE PRESSURE CONNECTOR



CLEVELAND CONTROLS DIV. OF UNICONTROL INC. MAKES NO REPRESENTATION OR WARRANTY CONCERNING THE SUITABILITY OF THIS DEVICE FOR A SPECIFIC APPLICATION OR PRODUCT. IT IS THE RESPONSIBILITY OF THE USER TO VERIFY THE SUITABILITY OF THIS DEVICE FOR THE SPECIFIC APPLICATION. WHERE AN OPERATING CONTROL FAILURE WOULD RESULT IN PERSONAL INJURY AND/OR LOSS OF PROPERTY, IT IS THE RESPONSIBILITY OF THE USER TO ADD DEVICES OR SYSTEMS THAT PROTECT AGAINST, OR WARN OF, FAILURE OF THIS DEVICE.

H	6073	1/14/14	MJA	RW
G	6009	8/8/13	MJA	FL
F	5453	10/10/11	MJA	FL
E	4865-1	10/20/09	MJA	FL
D	4678-5	8/6/09	MJA	FL
REV	DCN No.	DATE	BY	CHKD

SENSING SWITCH SPECIFICATIONS FIELD ADJUSTABLE KIT

CLEVELAND CONTROLS MODEL: NS2-0000-00

DRAWING RELEASE No. 4678				THIS PRINT IS THE EXCLUSIVE PROPERTY OF CLEVELAND CONTROLS AND CANNOT BE REPRODUCED IN WHOLE OR IN PART OR ISSUED OR DISCLOSED TO THIRD PARTIES WITHOUT THE EXPRESS WRITTEN CONSENT OF CLEVELAND CONTROLS.		USED ON	SHEET 1 OF 1
DWN	MJA	DATE	CHKD	Cleveland Controls Division of UniControl Inc. 1111 Brookpark Rd. Cleveland, Ohio 44109-5825		NS2000000	H REV
CHKD	FL	DATE	SCALE	.XX = ±.015	.XXX = ±.005		